

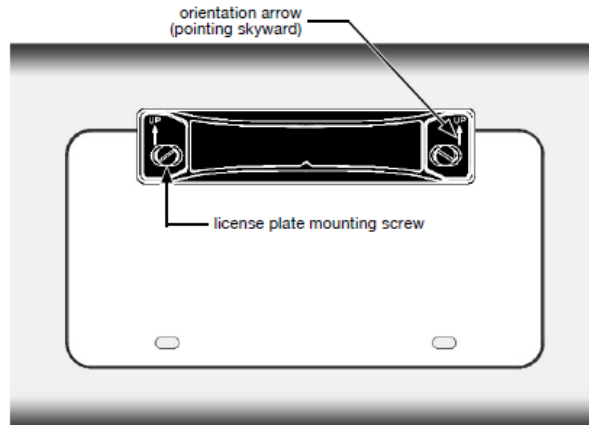
## E-ZPass® Tags (Front-Mount Exterior Tag)

There are some vehicles which have solar attenuation windshields, or other windshields which may prevent a Tag from reading properly from inside the vehicle. If this is the case for you, the Customer Service Center can send you a special kind of Tag that can be mounted above the front license plate of the vehicle – a Front-Mount Exterior (FME) Tag. The FME *E-ZPass*® tag must be mounted properly on the front of the vehicle before use. If the tag is not properly mounted, it may fail to read and may be unlawfully positioned.

To mount an FME tag on the vehicle:

1. Remove the two upper license plate mounting screws securing the license plate to the front of the vehicle.
2. Using the license plate mounting screws removed in step 1, secure the transponder, with arrows pointing skyward, and the license plate to the front of the vehicle.

For vehicles requiring FME tags, please mount tag as shown below:



FME Mounted on License Plate

For general placement of the tag on the vehicle, please mount tag as shown below:

